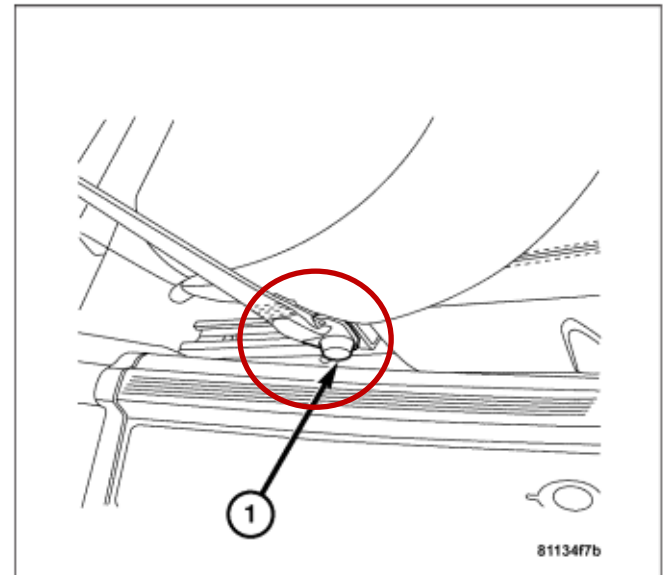
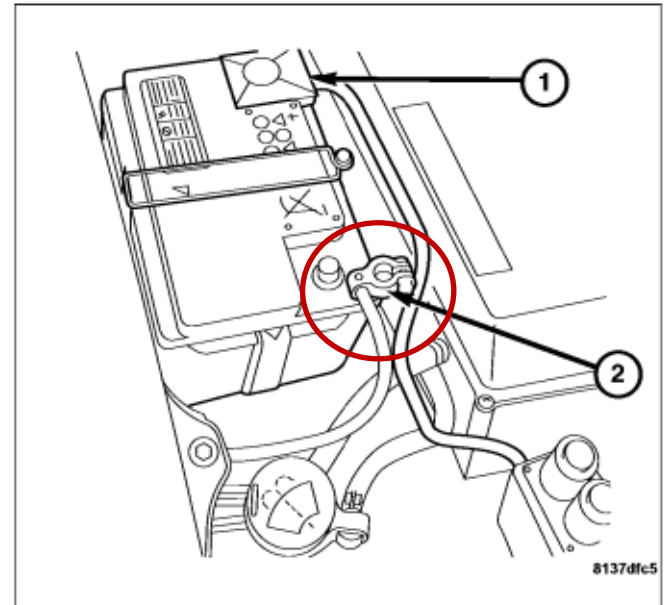


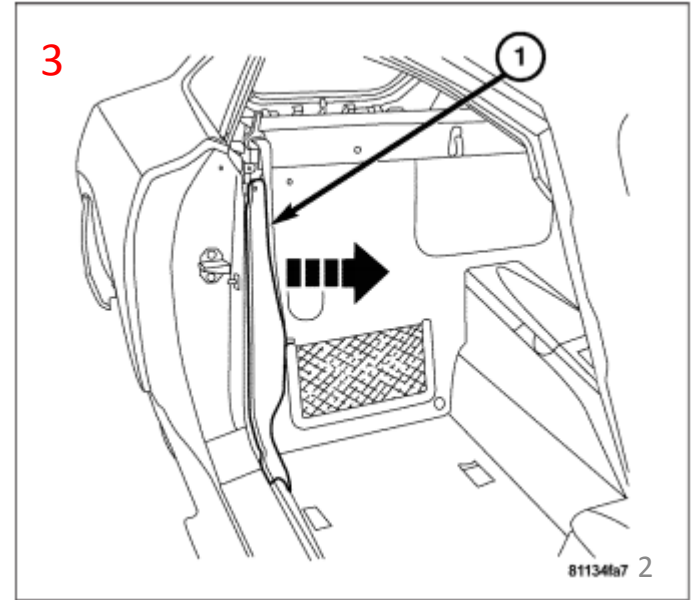
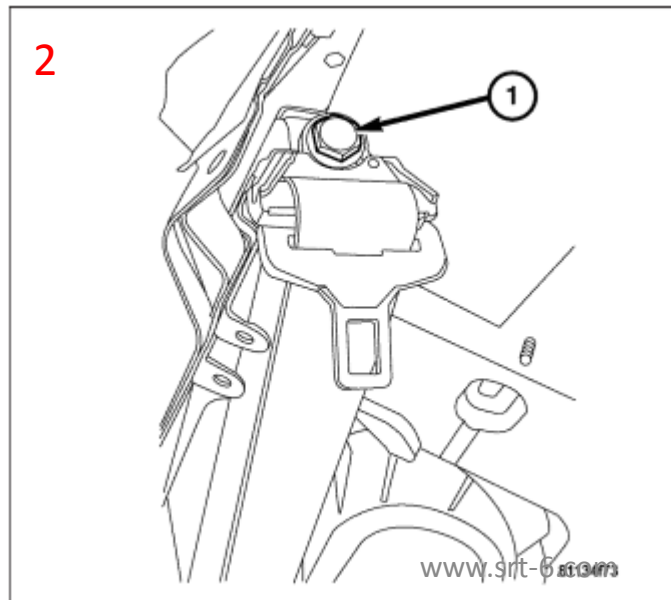
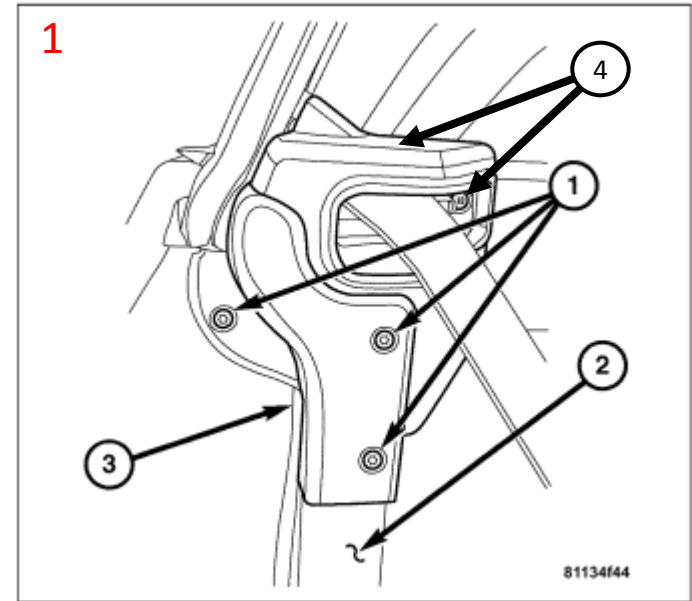
## STOCK OEM COLOR SEATBELT UPGRADE – BOLT ON

1. Move the seat to the full forward position.
2. Disconnect the negative battery cable (2). Wait two minutes for the system capacitor to discharge before further service.
3. Remove the plastic bolt cover from the seat.
4. Remove the bolt (1) on the belt end attaching it to the seat. (tighten to 35 N·m (26 ft. lbs.) when re-installing)



## STOCK OEM COLOR SEATBELT UPGRADE – BOLT ON

5. Remove the screws (1) attaching the plastic cover (3) to the door opening.
6. Remove the plastic cover (3).
7. Remove the door edge guard (2).
8. Remove screw and carefully lift up plastic piece. Easy accessible through trunk. NOTE: please use plastic prying tools to remove interior pieces.
9. Remove the bolt (1) attaching the belt guide to the vehicle. (tighten to 35 N·m (26 ft. lbs.) when re-install).
10. Fold back the carpet (1) in the upper corner area.



## STOCK OEM COLOR SEATBELT UPGRADE – BOLT ON

11. Disconnect the seat belt tensioner squib harness connector (1).

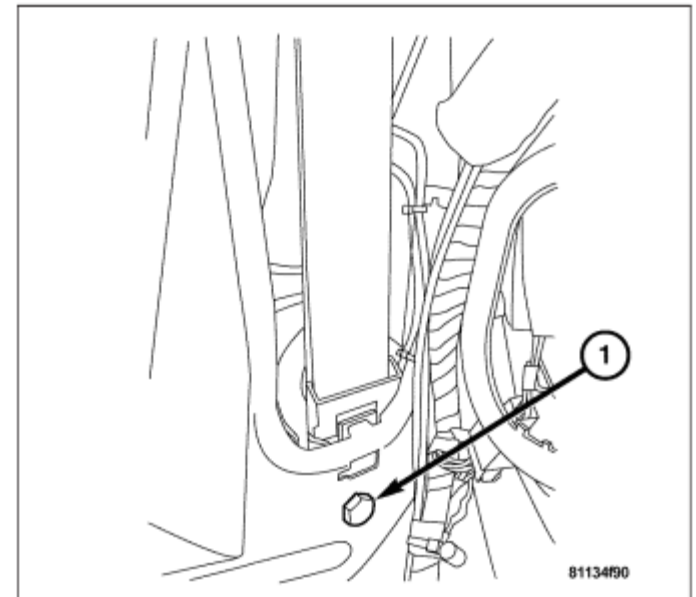
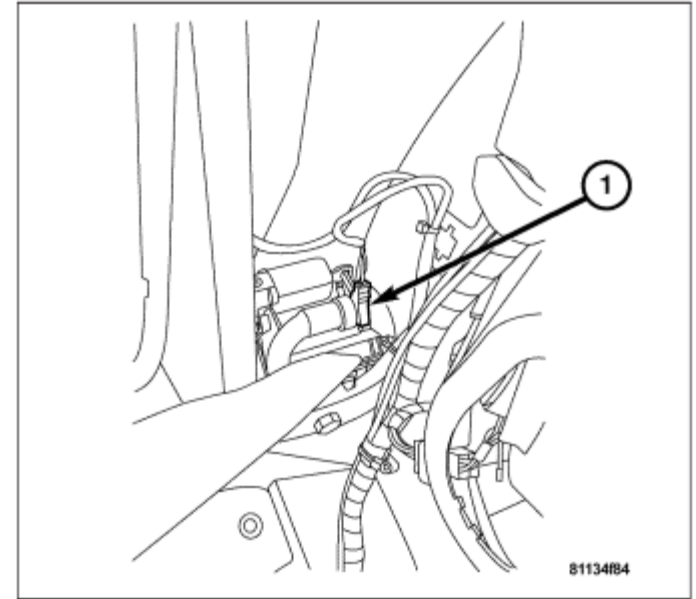
**CAUTION:** Do not pull on the squib connector wires or pry on the connector insulator to disengage the connector from the inflator connector receptacle. Improper removal of the squib wires and their connector insulators can result in damage to the airbag circuits or connector insulators.

12. Remove the bolt (1) attaching the seat belt tensioner to the vehicle. (tighten to 35 N·m (26 ft. lbs.) when re-installing.

13. Remove the seat belt tensioner from the vehicle.

### RE-INSTALL:

Work your way backwards in the list. Be sure to tighten bolts to 35 N·m (26 ft. lbs.). Enjoy!  
See next page for before and after pictures!



BEFORE



AFTER



Contact us: [info@srt-6.com](mailto:info@srt-6.com)  
Find product [HERE](#)

