



**NUMBER:** 23-047-04

**GROUP:** Body

**DATE:** November 11, 2004

*This bulletin is supplied as technical information only and is not an authorization for repair. No part of this publication may be reproduced, stored in a retrieval system, or transmitted, in any form or by any means, electronic, mechanical, photocopying, or otherwise, without written permission of DaimlerChrysler Corporation.*

**THIS BULLETIN SUPERSEDES TECHNICAL SERVICE BULLETIN 23-023-03, DATED OCTOBER 17, 2003, WHICH SHOULD BE REMOVED FROM YOUR FILES. THIS IS A COMPLETE REVISION AND NO ASTERISKS HAVE BEEN USED TO HIGHLIGHT REVISIONS.**

***SUBJECT:***

Wind-Like Sound From Mirror Flag Area Above 80 Km/h (50 mph)

***OVERVIEW:***

This bulletin involves inspecting the front door opening weatherstrip, replacing it and adjusting the seal guide if necessary.

***MODELS:***

2004 - 2005 (ZH) Crossfire Coupe/Crossfire Roadster

**NOTE: This bulletin applies to vehicles built on or before August 18, 2004 (MDH0818XX).**

***SYMPTOM/CONDITION:***

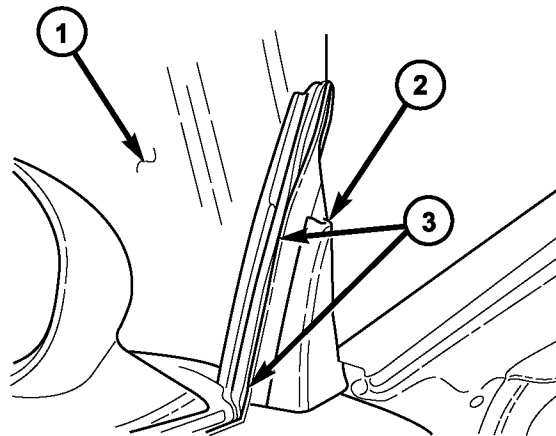
Vehicle operator may describe a wind-like sound above 80 km/h (50 mph).

***DIAGNOSIS:***

Inspect the door mounted weatherstrip seal lip for contact to the door glass at the mirror flag. The seal lip should contact the glass from the base to near the top. If the seal contacts the glass from the base to near the top on both doors, further diagnosis is necessary and this bulletin does not apply. If there is a gap between the weatherstrip seal lip and the glass, perform the Repair Procedure ([Fig. 1](#)).



**Stick with the Specialists™**



812c5d94

**Fig. 1 WEATHERSTRIP AWAY FROM GLASS AT THE BOTTOM**

- 1 - GLASS  
 2 - MIRROR FLAG BEZEL  
 3 - SEAL SHOULD CONTACT THE GLASS IN THIS AREA

**PARTS REQUIRED:**

Qty.	Part No.	Description
AR (1)	05142448AA	Weatherstrip, Front Door, Right
AR (1)	05142449AA	Weatherstrip, Front Door, Left

**SPECIAL TOOLS/EQUIPMENT REQUIRED:**

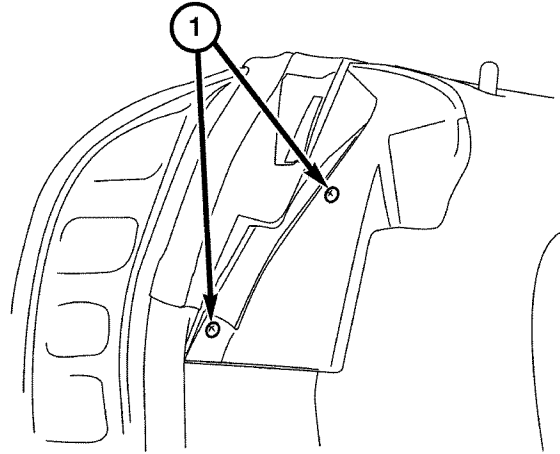
C-4755	Trim Stick
	Adjustable Joint Pliers (With Jaws Taped)

**REPAIR PROCEDURE:**

1. Remove the door trim panel. Refer to the service information available in TechCONNECT. Refer to 23 - Body/Door - Front/Trim Panel - Removal.

**NOTE: Move the plastic wedge directly into the clips.**

2. Remove the inner window sealing rail by opening the window and pressing the sealing rail off of the inner door with a plastic wedge. Check the clips for wear or damage.
3. Remove the outer window sealing rail by removing the door end cover screws (Fig. 2). Remove the rubber door seal by pulling the seal off of the door at the separation point (about 3-4 inches down the back of the seal).



8109dc46

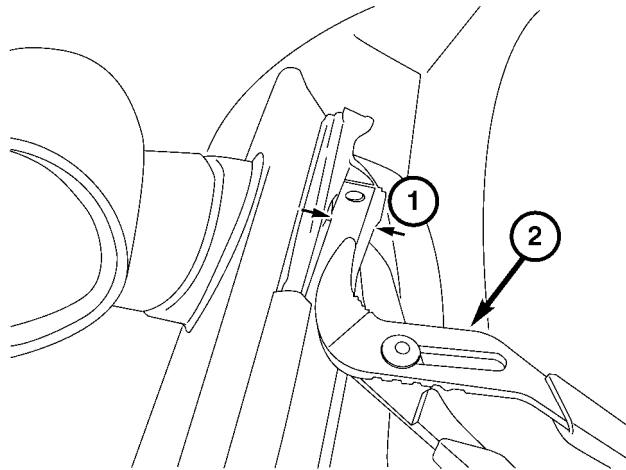
**Fig. 2 DOOR END COVER**

1 - COVER SCREWS

---

**NOTE: In the next step the inner window seal guide width is critical. Be sure that it is the correct width before reassembly.**

4. **Verify that the inner window seal guide width is between 14 and 15 mm (0.5-0.6 in.).** If necessary, bend the guide with tape-covered pliers to achieve the correct gap (Fig. 3).



815870dc

**Fig. 3 WEATHERSTRIP FLANGE ADJUSTMENT**

1 - WINDOW SEAL GUIDE WIDTH = 14-15 MM (0.5-0.6 IN.)

2 - TAPE COVERED PLIERS

5. Install the new weatherstrip, p/n 05142448AA or 05142449AA. Refer to the service information available in TechCONNECT. Refer to 23 - Body/Weatherstrip/Seals/Front Door Glass Weatherstrip - Installation.
6. Install the door trim panel. Refer to the service information available in TechCONNECT. Refer to 23 - Body/Door - Front/Trim Panel - Installation.
7. Raise and lower the window. Verify that the window does not bind or roll the weatherstrip as the glass is raised.
8. Inspect the door mounted weatherstrip seal lip for contact to the door glass at the mirror flag. The seal lip should contact the glass from the base of the mirror triangle to near the top of the mirror triangle (Fig. 1). If the seal contacts the glass properly the repair is complete. Verify the sound is no longer present. If there is a gap between the weatherstrip seal lip and the glass, recheck the inner window seal guide width that was adjusted in Step #4.

**POLICY:**

Reimbursable within the provisions of the warranty.

**TIME ALLOWANCE:**

Labor Operation No:	Description	Amount
23-51-10-92	Weatherstrip, Door Opening on Door - Inspect & Replace and Adjust Seal Guide - One Door	0.4 Hrs.
23-51-10-93	Weatherstrip, Door Opening on Door - Inspect & Replace and Adjust Seal Guide - Both Doors	0.7 Hrs.

**FAILURE CODE:**

8X	Wind Noise
----	------------